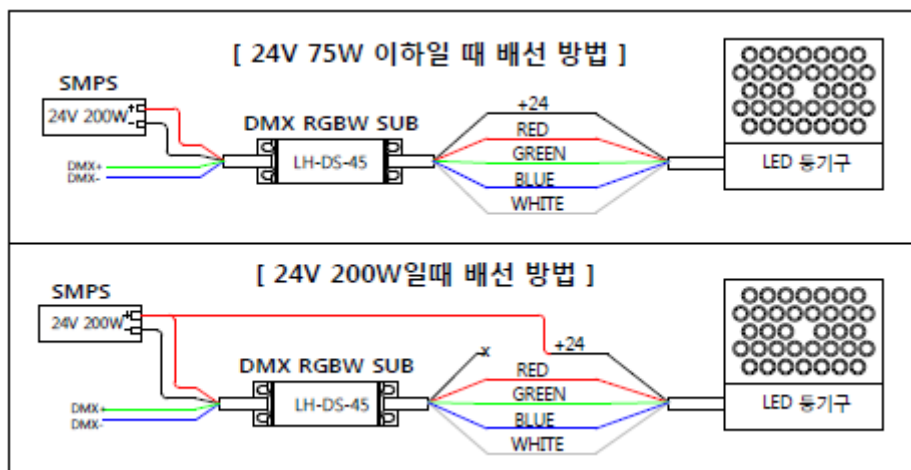
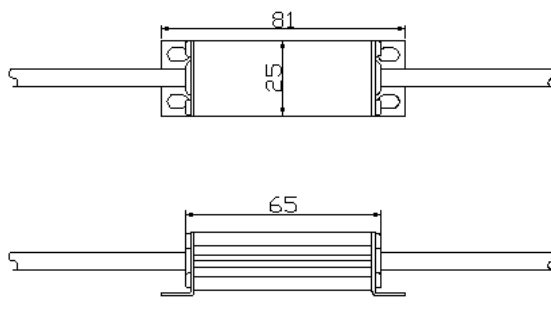


DMX RGBW SUB Controller(LH-DS-45)



Features

- *.Waterproof(IP66)
- *.Full aluminum body z
- *.Suitable for RGBW full color control

The Technical Specifications of DMX 4 channel waterproof SUB Controller(LH-DS-45)

| Descriptions | Specifications | Remarks |
|---------------------------|--------------------------------|-----------------|
| 1. Power Consumption | 1 W | |
| 2. Operating Voltage | 9~ 24 VDC | |
| 3. Channel input | Wire input | from LH-DMX-512 |
| 4. Input signal | TIA/EIA-485-A | |
| 5. Output signal | PWM 4 channel output | |
| 6. Input impedance | 150K ohm | |
| 7. Max. output current | 3 Amp per Channel(Total 9 Amp) | 200 Watt at 24V |
| 8. Data input | DMX512 250Kbps | |
| 9. Waterproof | IP66 | |
| 10. line length | 200mm | |
| 11. Operating Temperature | -20°C ~ +60°C | |
| 12. Outline Size | 81mm x25mm x (H)22mm | |
| 13. Weight | 63g | |